

FIREBREAK [2011] (Fire Ribbon™)

Index # 19, Rev-20 [07-2-2012], Page 1 of 2

CVO Fire : 01325-301020 : www.cvo.co.uk : sales@cvo.co.uk

Description

Burner is operated by Mains [240v] remote control system with magic eye/handset and wall switch and approved for Natural Gas or LPG. Gas type must be specified when ordering. The Fireplace is supplied as a complete unit with black steel enclosure box, stone lining and floating stone hearth. The fire is designed as a complete fire assembly meaning easy installation. The fire is supplied with the gather and this must be used when installed. The front shelf is supplied in a single piece and is very heavy. This is a very large and powerful fireplace and requires a reliable and steady gas supply - ensure all pipe work is to the required standard before installing.

Enclosure Material Options:

The stone enclosure can be supplied in African Black Granite or Portuguese Limestone [others upon request]
The metal version is available in 2mm Hand Polished Bronze or Brushed Stainless Steel.

Dimensions:

See Page 2. Wall depth required is 400mm

CE APPROVAL:

The fire is CE approved for the below gas categories and can be shipped to any member state within the EU.

- **NATURAL GAS** : Power Rating 14KW [63p/hour]
 - I2H-G20-20mBar
 - I2E-G20-20mBar
 - I2E⁺-G20/G25-20/25mBar
- **LPG/PROPANE** : Power Rating 13KW [90p/hour]
 - I3P(37)-G31-37mBar

Important Notes:

1. Fire is supplied as a complete package: Ribbon Burner, Remote Control, Steel Enclosure, Gather Unit and Stone.
2. The Burner is powered by a 240v mains supply. (240v, 3amp fused spur supply required).
3. The fire is operated by a handset and wall switch, both must be installed to ensure the fire functions correctly.
4. **PIPEWORK:** This is a very powerful fire. **A gas supply of 1.5m³/h NG or 0.8m³/h LPG is required.** The gas pipe work is critical and must be able to supply a steady gas supply when in operation otherwise the appliance will shutdown and be unreliable. The gas pressure must be tested using the test point supplied in the fire with the fire on full. If the gas pressure is outside the required limits the pipe work will need upgrading – do this before installing!
5. The fire is fitted with safety devices inline with CE regulations.
6. Gather is supplied with fire. It is advised to use the gather even if using the fire in an existing fireplace; this is to avoid debris falling into the fireplace opening. The gather can be inserted into the opening from below, raised up, then lowered onto the enclosure. This reduces the required builders opening.
7. The front stone section is a “floating hearth” it is not supposed to be used as a shelf. It must not be leaned on or heavy items placed on it.
8. For installation into houses with a Class 1 chimney or for fitting to a 200mm Flue Liner. It is advisable to have the chimney swept and tested prior to installation to ensure there are no blockages or leaks.
 - a. Natural Gas = 1 metre minimum length
 - b. LPG/Propane = 1.5 metre minimum length
9. This appliance requires room ventilation of 100cm².
10. **Notes on Limestone Version** - Portuguese Limestone is a soft material which can contain high concentrations of fossils. The positioning and quantity of these fossils is totally random and is part of the natural beauty of this type of stone. It is advised to visit the showroom and see the display model if in doubt. Limestone is absorbent and is easily marked by liquids. We supply the stone un-sealed as most customers prefer this natural look. Limestone sealer is available from most DIY superstores. Due to the size of the flame it is likely that the limestone model will be marked by soot from the flame. This is unavoidable.

=====

CVO reserve the right to amend and improve the specification sheets without prior notice. If in doubt about any aspect of this specification please call. The specification is not to be used to install the fireplace. Every fire is supplied with an official install booklet. Spirit Fires Limited own the Spirit, CVO and Firevault Trademarks. Copying and distribution of these specifications is not permitted without the permission of Spirit Fires Ltd. All dimensions include a +/-2mm tolerance.

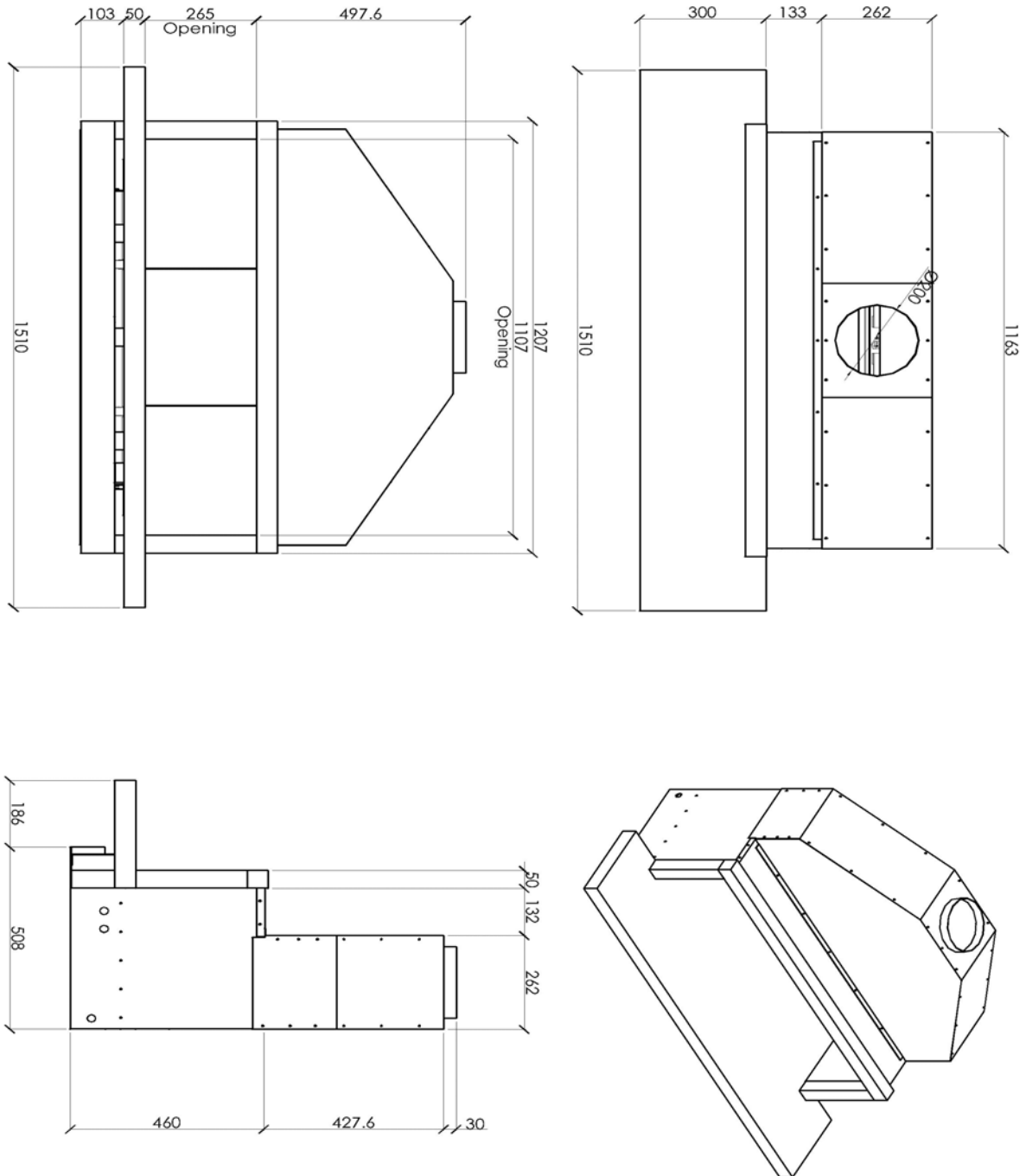
Spirit Fires Ltd, 4 Beaumont Square, Durham Way South, Newton Aycliffe, County Durham, DL5 6XN
Sales: +44 (0)1325-301020 Office: +44 (0) 1325 327 221 Fax: +(0)1325 327 292 Email: sales@cvo.co.uk Web: www.cvo.co.uk

SHOWROOM: CVO Fires can be seen live in our FIREVAULT showrooms based in the North and South of the UK.
Visit www.firevault.co.uk or call 01325-301020 for full contact details, location maps and directions.

FIREBREAK [2011] (Fire Ribbon™)

Index # 19, Rev-20 [07-2-2012], Page 2 of 2

CVO Fire : 01325-301020 : www.cvo.co.uk : sales@cvo.co.uk



=====

CVO reserve the right to amend and improve the specification sheets without prior notice. If in doubt about any aspect of this specification please call. The specification is not to be used to install the fireplace. Every fire is supplied with an official install booklet. Spirit Fires Limited own the Spirit, CVO and Firevault Trademarks. Copying and distribution of these specifications is not permitted without the permission of Spirit Fires Ltd. All dimensions include a +/-2mm tolerance.

Spirit Fires Ltd, 4 Beaumont Square, Durham Way South, Newton Aycliffe, County Durham, DL5 6XN
Sales: +44 (0)1325-301020 Office: +44 (0) 1325 327 221 Fax: +(0)1325 327 292 Email: sales@cvo.co.uk Web: www.cvo.co.uk

SHOWROOM: CVO Fires can be seen live in our FIREVAULT showrooms based in the North and South of the UK. Visit www.firevault.co.uk or call 01325-301020 for full contact details, location maps and directions.