

FIRE RIVER™ - (with CVO Fire Ribbon™ Technology)

Index Number : 54, Rev-11, Page 1 of 3

CVO Fire : 01325-301020 : www.cvo.co.uk : sales@cvo.co.uk

MATERIAL OPTIONS:

This fireplace is supplied as a complete fireplace suite with gas burner, enclosure and remote control system. There is an optional gather and trim available upon request. The remote control is fully sequenced with on/off and up/down. The fire is available for Natural Gas or LPG/Propane and this must be specified when ordering. The enclosure is made from High Quality Brushed Stainless Steel.



CE APPROVAL:

CE APPROVAL:

The Ribbon Burner is CE approved for the following gas categories and is available for all European Countries.

- **NATURAL GAS**
 - I2H-G20-20mBar, I2E-G20-20mBar, NG-I2E+-G20/G25-20/25mBar
- **LPG/Propane**
 - LPG-I3P(37)-G31-37mBar

DIMENSIONS:

- **Overall dimensions of optional fascia:** HEIGHT: 403mm x WIDTH: 1000mm x DEPTH: 10mm
- **Dimensions of the enclosure opening:** HEIGHT: 265mm x WIDTH: 860mm x DEPTH: 395mm
- **Dimensions of required construction opening without Gather:** HEIGHT: 465mm x WIDTH: 925mm x DEPTH: 410mm
- **Dimensions of required construction opening with Gather:** HEIGHT: 1000mm x WIDTH: 925mm x DEPTH: 410mm

TECHNICAL INFORMATION:

1. The fire is supplied as a complete fireplace suite of enclosure, burner unit and remote system. There is an option to add a fascia trim and to fit a gather unit.
2. **Natural Gas :** 12.1kw [42p/hour] **Flow Rate : 1.5m3/Hour**
3. **LPG/Propane:** 12.4kw [140p/hour] **Flow Rate: 0.6m3/Hour**
4. **VENTILATION:** This is a high power appliance and requires a 100cm² air vent in the room.
5. **PIPE WORK:** This is a high power appliance and needs a strong, steady, gas supply. See above. Ensure that pipe work is checked, flow rated and if required upgraded before installing appliance.
6. **FLUE SYSTEM:**
 - a. Natural Gas Version = minimum 2m x 175mm Flue
 - b. LPG Version = minimum 3m x 200mm Flue
 - c. A gather can be supplied to fit the fire to a flue liner. Even if a flue liner is not being used it is advised to buy the gather as it also avoids debris falling into the chamber and helps with flue draw. If the standard gather is not to be used, the fire must be connected to the inglenook in accordance with local regulations. The gather must be ordered at the same time as the fire. To help with installation the gather is designed to be installed into the fireplace opening and lowered onto the enclosure hence reducing the required builders opening.
7. ODS (Oxygen Depletion System) fitted to monitor oxygen levels in the room.
8. The fireplace requires burner ventilation into the burner tray. This is provided normally by the fascia floating on the wall and a slot behind the trim. If the fascia trim is not used additional burner ventilation must be planned please consult specification sheet 103 for guidance. This can be emailed upon request.
9. The fire is operated by an "AA" battery remote system with a handset. There is an option to purchase an additional wall switch for manual control. As sales.
10. The remote is fully sequential and operates ON/OFF and UP/DOWN .
11. **NOTE: THE IMAGES SHOW THE NATURAL GAS GATHER WITH 175MM SPIGOT. LPG VERSION IS 200MM**

=====
CVO reserve the right to amend and improve the specification sheets without prior notice. If in doubt about any aspect of this specification please call. The specification is not to be used to install the fireplace. Every fire is supplied with an official install booklet. Spirit Fires Limited own the Spirit, CVO and Firevault Trademarks. Copying and distribution of these specifications is not permitted without the permission of Spirit Fires Ltd. All dimensions include a +/-2mm tolerance.

Spirit Fires Ltd, 4 Beaumont Square, Durham Way South, Newton Aycliffe, County Durham, DL5 6XN
Sales: +44 (0)1325-301020 Office: +44 (0) 1325 327 221 Fax: +(0)1325 327 292 Email: sales@cvo.co.uk Web: www.cvo.co.uk

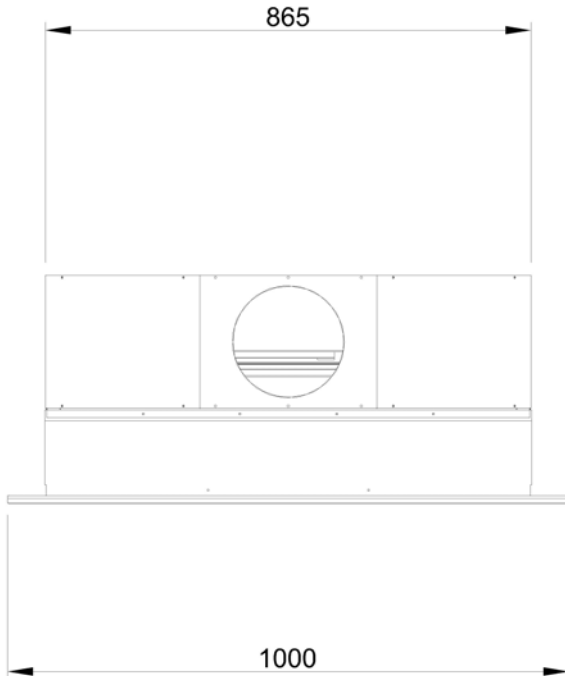
SHOWROOM: CVO Fires can be seen live in our FIREVAULT showrooms based in the North and South of the UK. Visit www.firevault.co.uk or call 01325-301020 for full contact details, location maps and directions.

FIRE RIVER™ - (with CVO Fire Ribbon™ Technology)

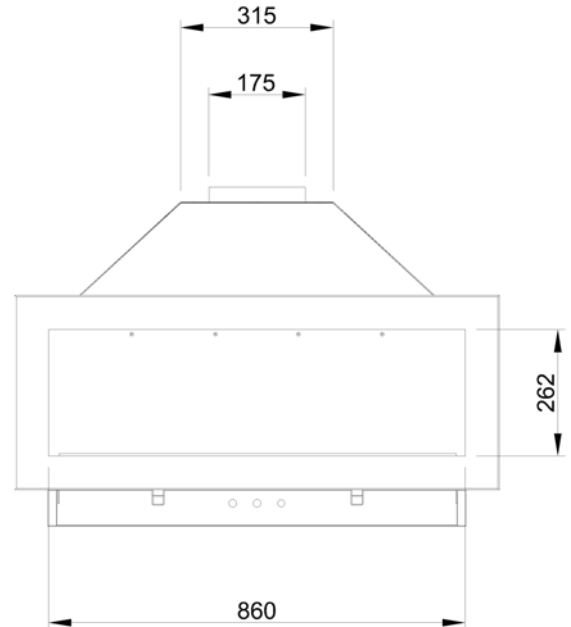
Index Number : 54, Rev-11, Page 2 of 3

CVO Fire : 01325-301020 : www.cvo.co.uk : sales@cvo.co.uk

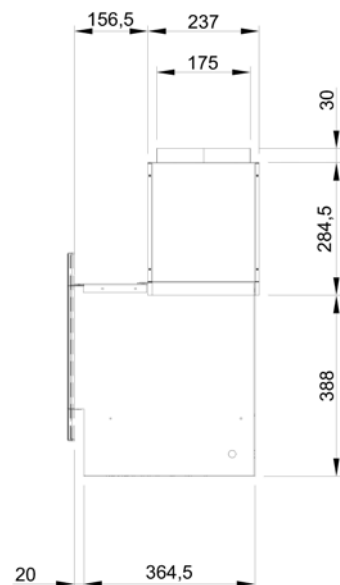
Top View



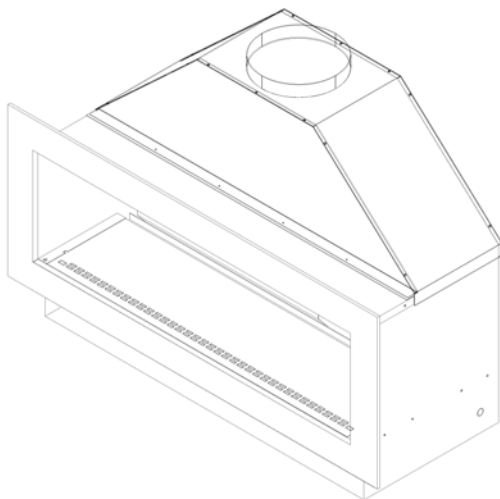
Front View



Side View



Perspective View



=====

CVO reserve the right to amend and improve the specification sheets without prior notice. If in doubt about any aspect of this specification please call. The specification is not to be used to install the fireplace. Every fire is supplied with an official install booklet. Spirit Fires Limited own the Spirit, CVO and Firevault Trademarks. Copying and distribution of these specifications is not permitted without the permission of Spirit Fires Ltd. All dimensions include a +/-2mm tolerance.

Spirit Fires Ltd, 4 Beaumont Square, Durham Way South, Newton Aycliffe, County Durham, DL5 6XN
Sales: +44 (0)1325-301020 Office: +44 (0) 1325 327 221 Fax: +(0)1325 327 292 Email: sales@cvo.co.uk Web: www.cvo.co.uk

SHOWROOM: CVO Fires can be seen live in our FIREVAULT showrooms based in the North and South of the UK. Visit www.firevault.co.uk or call 01325-301020 for full contact details, location maps and directions.

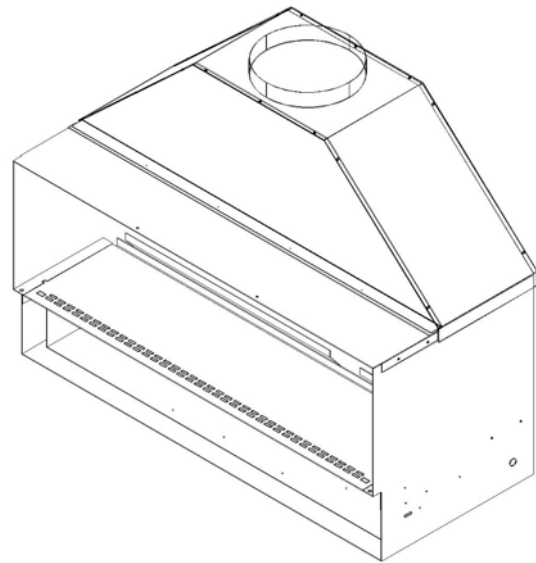
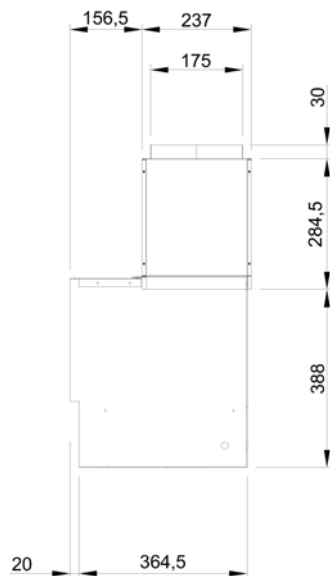
FIRE RIVER™ - (with CVO Fire Ribbon™ Technology)

Index Number : 54, Rev-11, Page 3 of 3

CVO Fire : 01325-301020 : www.cvo.co.uk

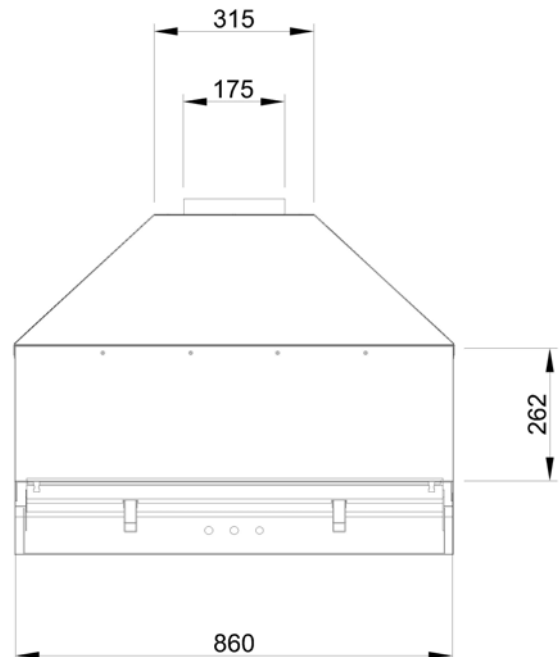
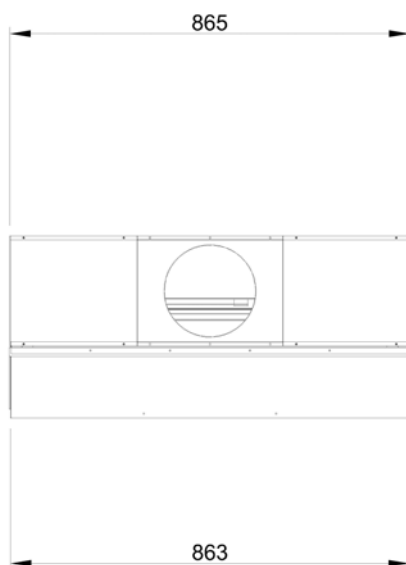
Perspective View

Side View



Front View

Top View



=====

CVO reserve the right to amend and improve the specification sheets without prior notice. If in doubt about any aspect of this specification please call. The specification is not to be used to install the fireplace. Every fire is supplied with an official install booklet. Spirit Fires Limited own the Spirit, CVO and Firevault Trademarks. Copying and distribution of these specifications is not permitted without the permission of Spirit Fires Ltd. All dimensions include a +/-2mm tolerance.

Spirit Fires Ltd, 4 Beaumont Square, Durham Way South, Newton Aycliffe, County Durham, DL5 6XN
Sales: +44 (0)1325-301020 Office: +44 (0) 1325 327 221 Fax: +(0)1325 327 292 Email: sales@cvo.co.uk Web: www.cvo.co.uk

SHOWROOM: CVO Fires can be seen live in our FIREVAULT showrooms based in the North and South of the UK. Visit www.firevault.co.uk or call 01325-301020 for full contact details, location maps and directions.