

SPECIFICATION SHEET

Fire Wave™

Page 1 of 2

Index Number: 73, Rev-7

MATERIAL OPTIONS:

Fire Wave is supplied as standard with a Brushed Stainless Steel Enclosure and Black Steel Gather. There is an option to add a trim in stone or metal, price is available upon request.

APPROVALS:

- **CE PIN Number -**
- **Gas Types - I2H, I2E, I2E+, I2L, I3P, I3+, I3B/P**
- **Gas Categories - G20, G25, G30, G31 [Natural Gas and LPG/Propane]**
- **Countries - AT, CH, CZ, DK, EE, ES, FI, GB, GR, HR, IE, IT, LT, LV, NO, PT, RO, SE, SI, SK, TR, DE, LU, PL, RO, BE, FR, NL, CY, HU, TI.**

DIMENSIONS:

Dimensions of Fire Wave Enclosure Opening: HEIGHT: 190mm x WIDTH: 1500mm x DEPTH: 400mm

Suggested Construction Opening: HEIGHT: 720mm x WIDTH: 1600mm x DEPTH: 440mm

INPUT POWER RATING: (High and Low setting)

- Natural Gas - High - 13.3kW, Low - 6.4 kW,
- LPG/Propane - High - 13.8kW, Low - 7.0 kW

OTHER TECHNICAL INFORMATION:

- This Fire is supplied with a battery remote system which is powered by AA batteries. To ensure a long life it is advised that Lithium batteries are used. The fire is operated by a handset and Infra-Red magic eye.
- There is an option to purchase and fit an additional wall switch – please ask when ordering.
- This fire is supplied with a gather fitted to the enclosure. The gather is an integral part of the fire and must be fitted to ensure the fire operates safely and remains structurally sound. The gather must not be removed as it will invalidate the CE approval and warranty.
- The gas burner can be set for operation to Natural Gas or LPG/Propane - please specify when ordering.
- Safety Devices are fitted as standard – FFD (Flame Failure Device) & ODS (Oxygen Depletion System).
- Class 1 Flue system required (minimum 250mm diameter, 3m minimum length).
- In older properties we recommend that the chimney is swept and tested prior to installation.
- For air brick requirements please see air brick chart below in relation to high input settings.
- Approximate running costs per hour on low (subject to your gas supplier tariff): NG – 45p LPG - 110p.
- Appliance must be installed by Gas Safe Registered Installer [UK].
- **Noise-** With all gas appliances an increase in noise can be expected when using the low setting as the gas flow is restricted by the valve to reduce the flame and power. This noise is quite normal for the power rating of this fire.
- If the fire is installed in a property with an excessive flue length the fire may need additional ventilation from below into the burner unit. This can be a wall vent at ground level with ducting to the burner box or a wall vent or slot directly in front of the front shelf. If in doubt please call our Sales Team on 01325-301020 to discuss.
- When installing this into an existing brick built chimney without a flue liner the enclosure & gather must be sealed to the existing chimney to ensure that air cannot flow behind the enclosure. Failure to do this will cause flame reversal and result in serious damage to the burner unit and enclosure.

Spirit Fires Limited reserve the right to amend and improve any of the specification sheets without prior notice.

All fires are living flames. Sooting can occur as a natural bi-product of a living flame and cannot be controlled or eliminated. Weathering and sooting of the enclosures is a natural and normal occurrence.

AIRBRICK CHART	
Input Energy:	
0-7KW	No Airbrick Required
8-9KW	11cm ² free air
10-15	36cm ² free air
16-18KW	50cm ² free air
KEY	
NG - NATURAL GAS	
SF - SOLID FUEL	
LPG - LIQUID PETROLEUM GAS	
ALL DIMENSIONS WITHIN +/- 2mm	

Spirit Fires Ltd, 4 Beaumont Square Durham Way South Aycliffe Industrial Park
 Newton Aycliffe County Durham DL5 6SW
 Tel: +44 (0) 1325 327 221 Fax: +(0)1325 327 292
 Email info@cvo.co.uk

www.spiritfires.co.uk

Spirit Fires Incorporates the full CVO Fire range of Fires. For more details contact above or visit www.cvo.co.uk

CVO FIRE 

SPECIFICATION SHEET

Fire Wave™

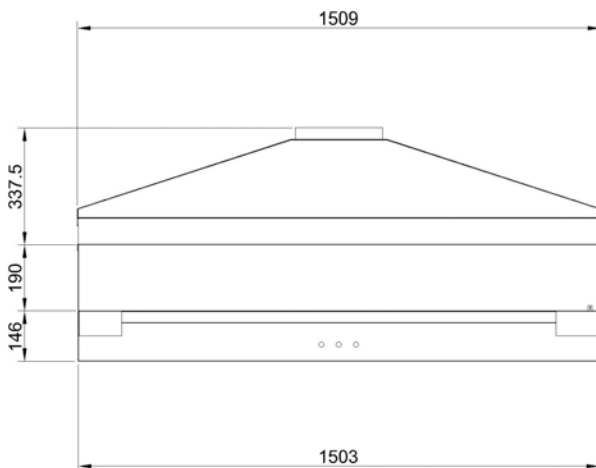
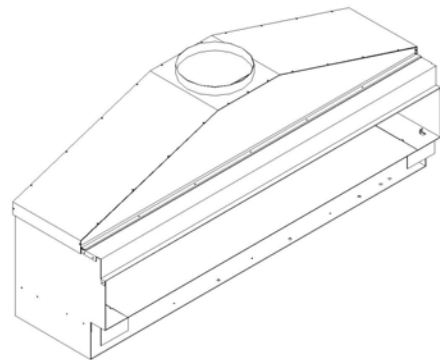
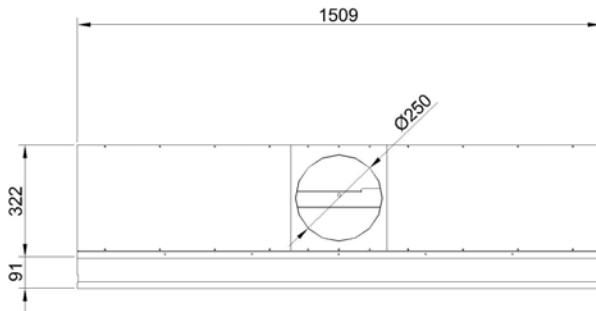
Page 2 of 2

Index Number: 73, Rev-7



THE GATHER IS SUPPLIED WITH THIS FIRE AS STANDARD. THIS IS REQUIRED TO ENSURE THE FIRE OPERATES SAFELY.

NOTE THE BURNER VENTILATION REQUIREMENTS AS STATED IN TECHNICAL INFORMATION SECTION



Spirit Fires Limited reserve the right to amend and improve any of the specification sheets without prior notice.

All fires are living flames. Sooting can occur as a natural bi-product of a living flame and cannot be controlled or eliminated. Weathering and sooting of the enclosures is a natural and normal occurrence.

AIRBRICK CHART

Input Energy:	
0-7KW	No Airbrick Required
8-9KW	11cm ² free air
10-15	36cm ² free air
16-18KW	50cm ² free air

KEY

NG - NATURAL GAS
 SF - SOLID FUEL
 LPG - LIQUID PETROLEUM GAS
 ALL DIMENSIONS WITHIN +/- 2mm

Spirit Fires Ltd, 4 Beaumont Square Durham Way South Aycliffe Industrial Park
 Newton Aycliffe County Durham DL5 6SW
 Tel: +44 (0) 1325 327 221 Fax: +(0)1325 327 292
 Email info@cvo.co.uk

www.spiritfires.co.uk

Spirit Fires Incorporates the full CVO Fire range of Fires. For more details contact above or visit www.cvo.co.uk